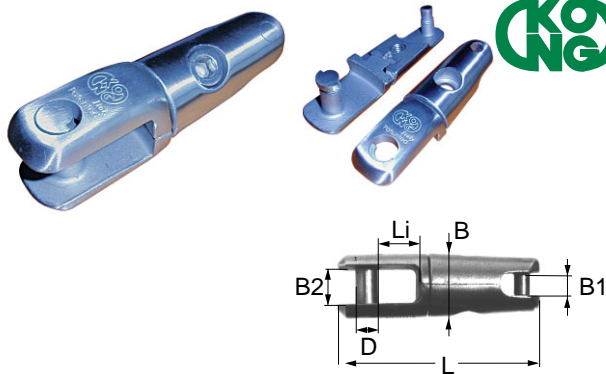


Stahl verzinkt - galvanized steel

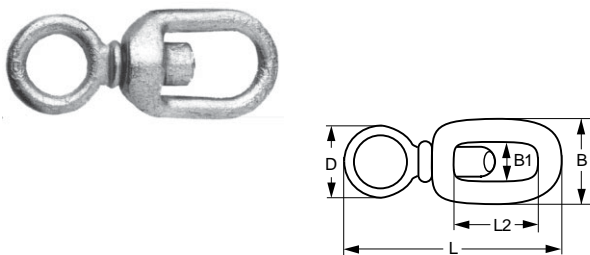
Art.-No.	L mm	B mm	B2 mm	D mm	Li mm	B1 mm	Kette chain	BRL kg
NB 4408	90	27	16	10	19	9	6-8	630
NB 4413	145	54	31	16	29	17	12-14	2.000

ANKERWIRBEL - CHAIN SWIVELS



Edelstahl 1.4401 - stainless steel AISI316

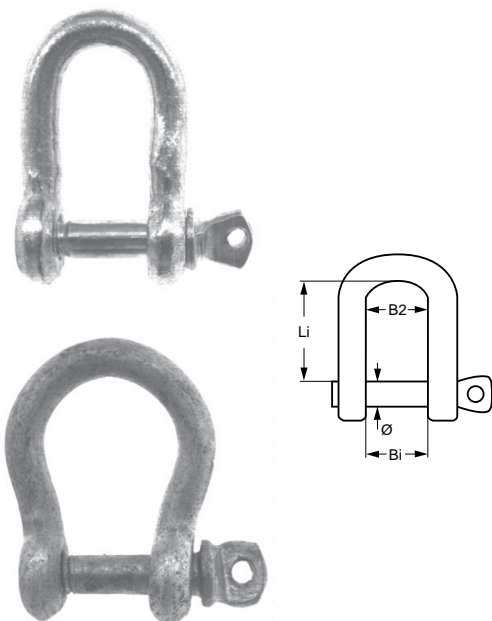
Art.-No.	L mm	B mm	B2 mm	D mm	Li mm	B1 mm	Kette chain	BRL kg
NB 4508	95	27	16	10	18	9	6-8	630
NB 4510	118	37	21	13	22	13	8-12	1.250
NB 4513	155	66	35	18	30	18	12-14	2.000



Stahl, verzinkt - galvanized steel

Art.-No.	L mm	B mm	D mm	L2 mm	B1 mm
FA 106	75	33	12	28	18
FA 108	90	35	13	31	18
FA 110	105	44	15	40	25
FA 113	130	55	17	48	28

SCHÄKEL - SHACKLES



normale Handelsausführung, Eisen verzinkt, gerade Form
galvanized iron, straight type

Art.-No.	Ø mm	Bi mm	Li mm	B2 mm	Packmenge package
VS 9106-10	6	12	28	13	VP á 10 Stück
VS 9108-10	8	16	36	16	VP á 10 Stück
VS 9110-10	10	19	44	19	VP á 10 Stück
VS 9112-10	12	24	58	24	VP á 10 Stück
VS 9114-10	14	28	62	28	VP á 10 Stück
VS 9116	16	28	76	28	
VS 9120	20	37	84	38	

geschweißte Form - bow type

VS 9206-10	6	12	28	20	VP á 10 Stück
VS 9208-10	8	16	36	23	VP á 10 Stück
VS 9210-10	10	20	46	30	VP á 10 Stück
VS 9212-10	12	24	56	34	VP á 10 Stück
VS 9214-10	14	26	66	42	VP á 10 Stück
VS 9216	16	34	75	52	
VS 9220	20	37	94	65	